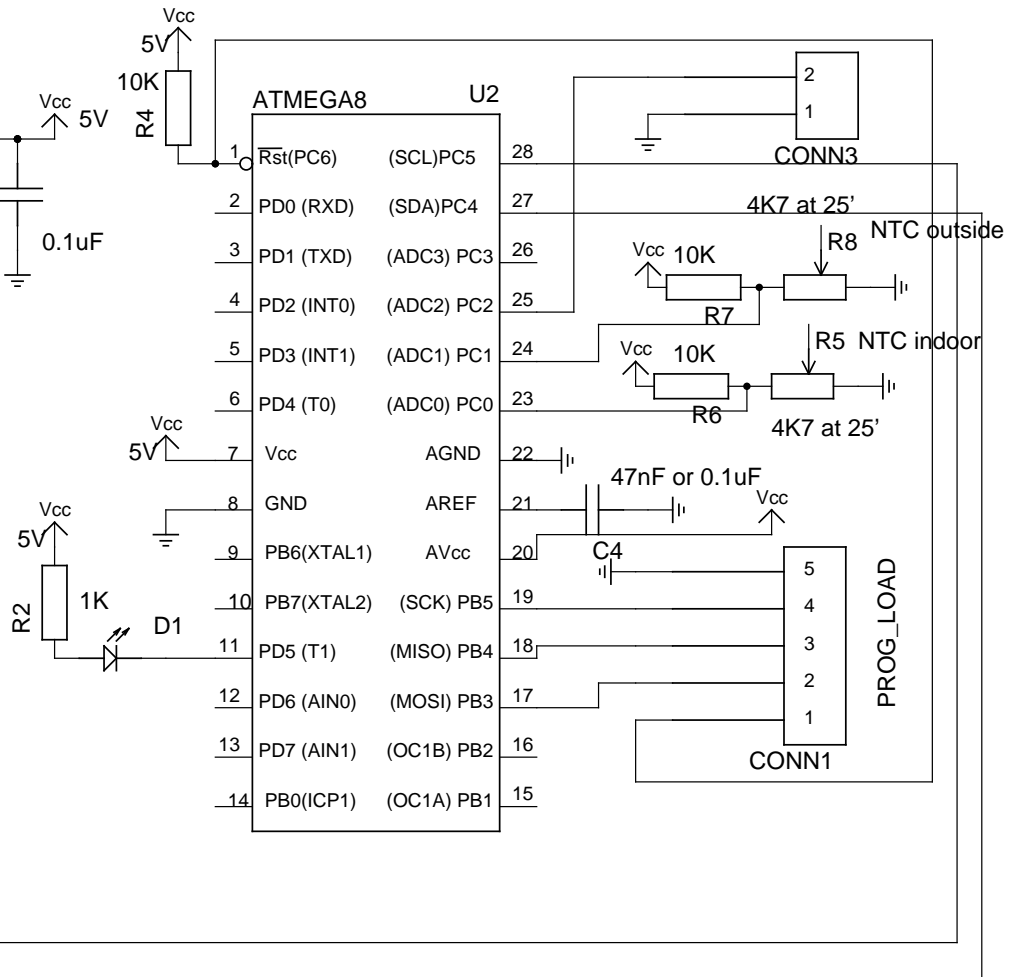
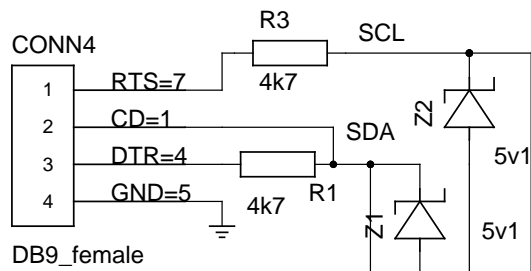
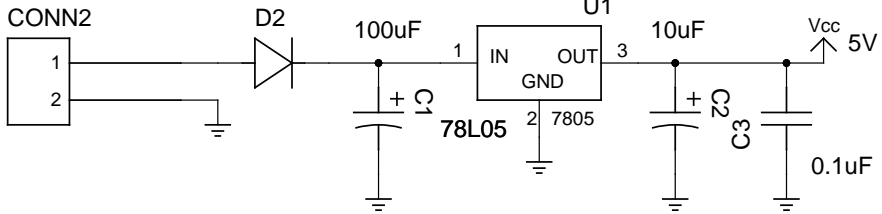


Power: AC 8-12V or DC 7.5-16V



I2C thermometer, (c) Guido Socher